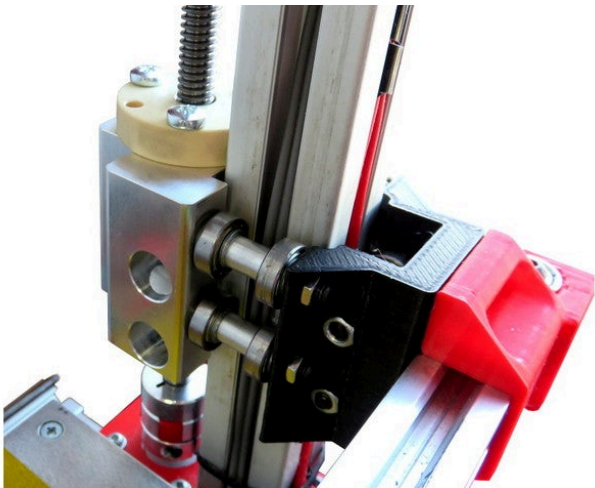
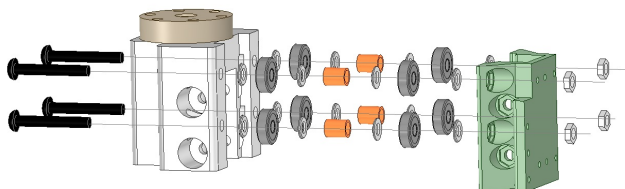
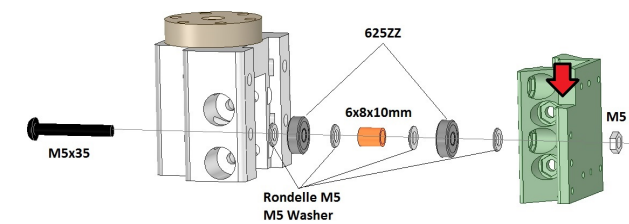
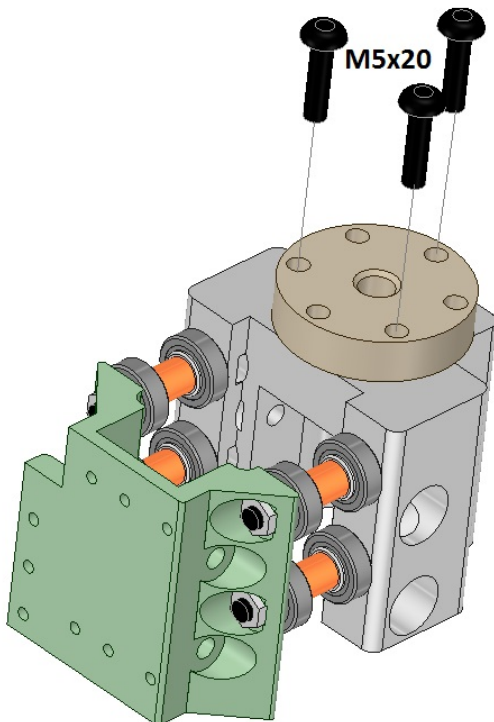
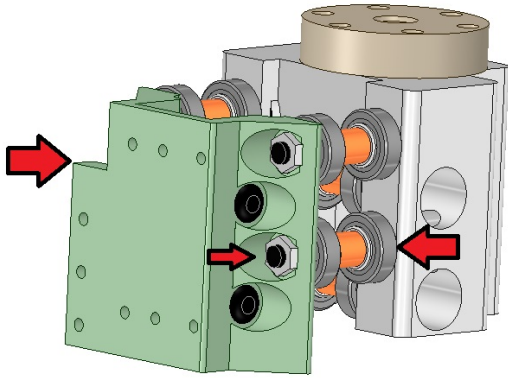
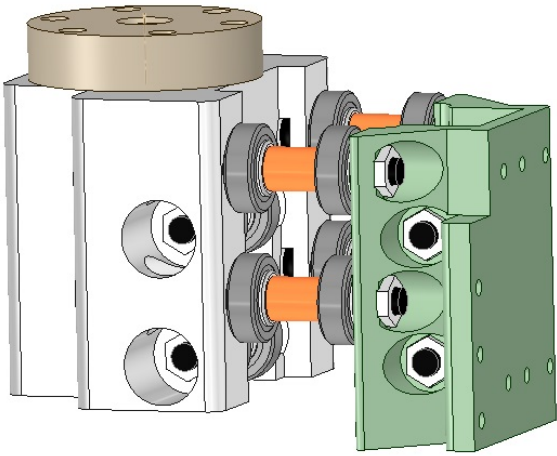


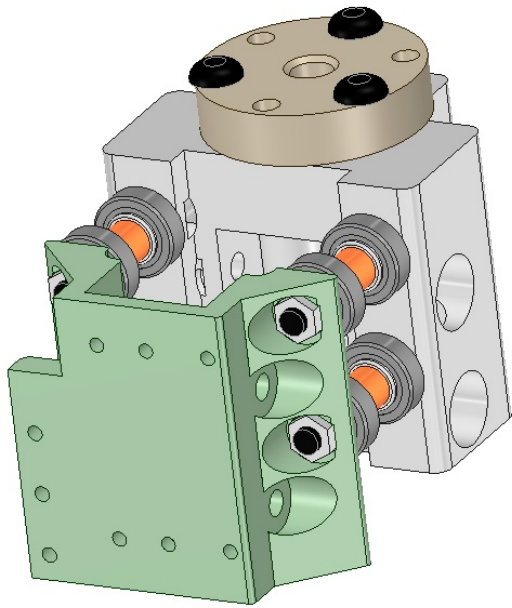
Z axis Alu upgrade – back aluminium sliders installation



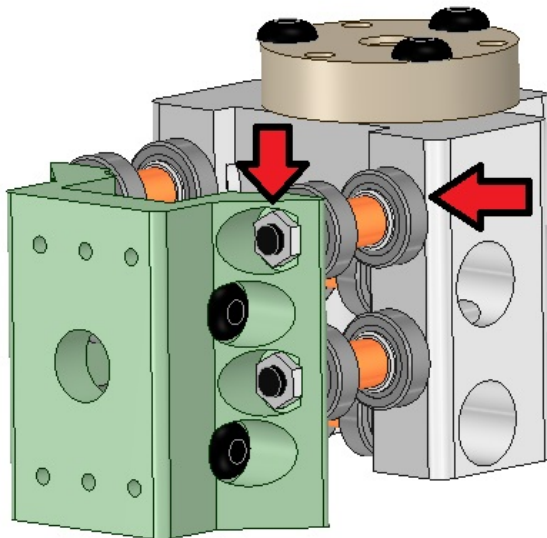
Left side assembly (X axis motor side)







Right side assembly



Setup your Firmware parameters

The TR10x2 trapezoidale leadscrews requires new ZStep/mm settings on your firmware

Through your LCD display, go to **Control>movements>Zstep/mm>1600**

Trap lead screws requirements

Make sure to lubricate the leadscrews as well as your Igus nuts using PTFE lubricant, grease, or even Fine oil for small mechanism