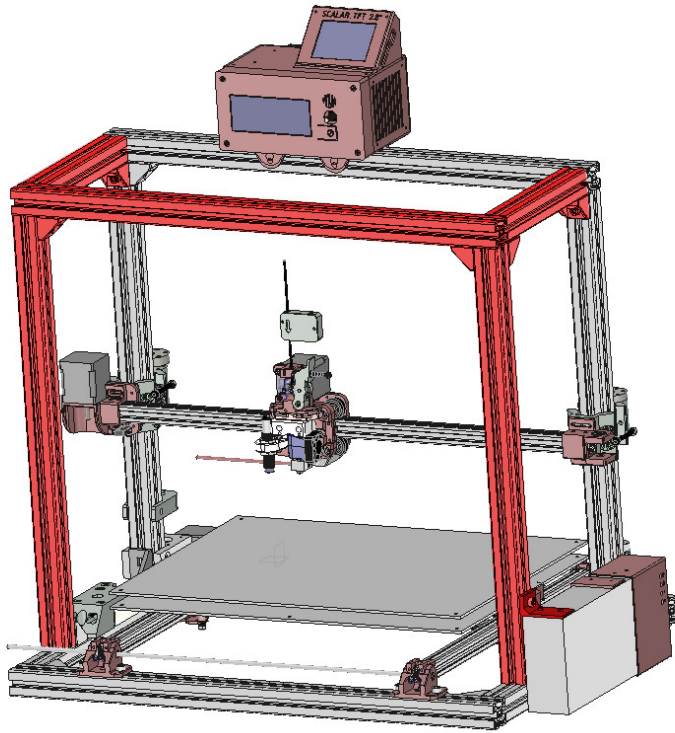


Upgrade – Reinforcement kit for Scalar L and Scalar XL Premium



This page presents the upgrade kit « Frame Reinforcement » for Scalar L and Scalar XL Premium 3D printers

The assembly is very similar for both models, only 1 extrusion profile length is different.

The previous image shows what is the « reinforcement kit » all about.

Kit for Scalar XL premium

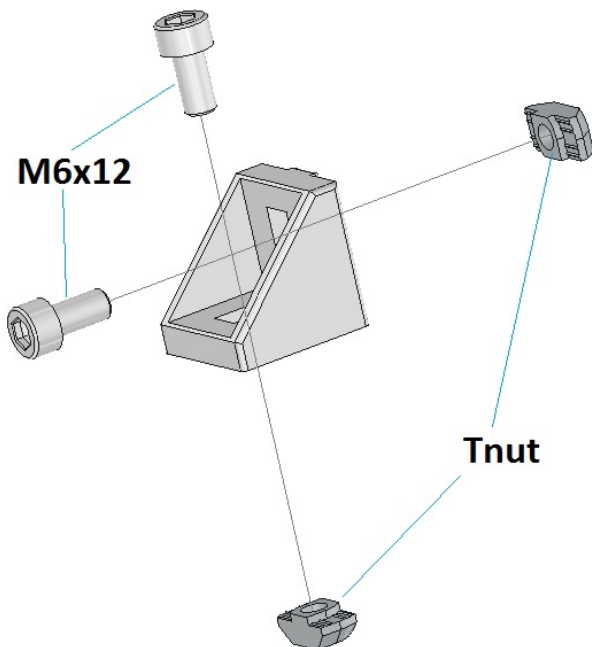
- 2 x 500mm extrusion profiles
- 1 x 600mm extrusion profiles
- 2 x 200mm extrusion profiles
- 8 x simple squares
- 17 x screws + Tnuts

- 2 x Extrusion end caps
 - 1 x attachment for PSU
-

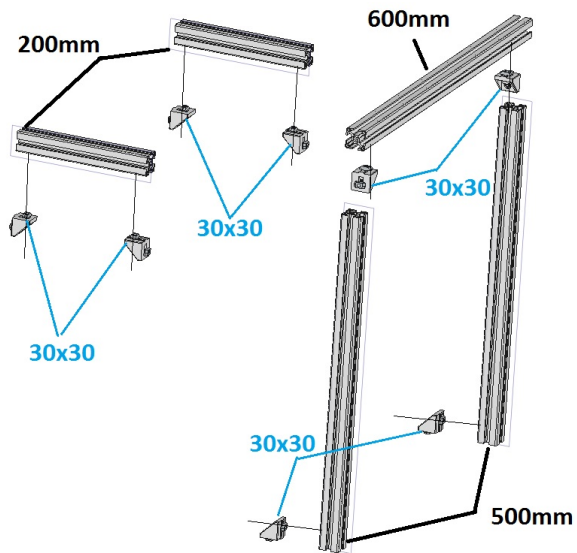
Kit for Scalar L

- 3 x 500mm extrusion profiles
 - 2 x 200mm extrusion profiles
 - 8 x simple squares
 - 17 screws + Tnuts
 - 2 x Extrusion end caps
 - 1 x attachment for PSU
-

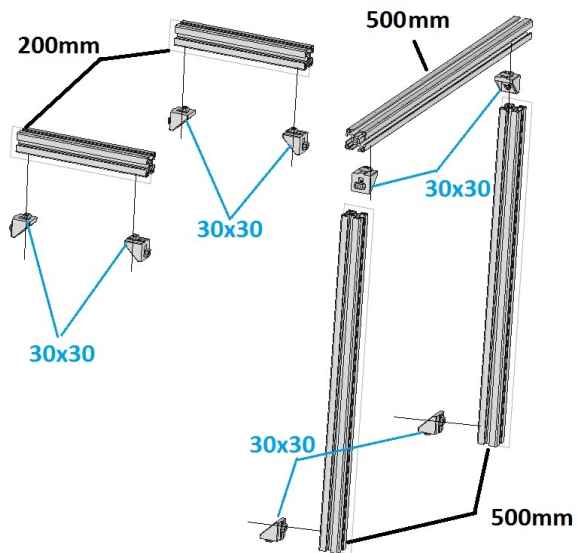
Assembly



Assembly for Scalar XL Premium



Assembly for Scalar L



Common part

