

Titan extruder assembly on your Scalar 3D printer

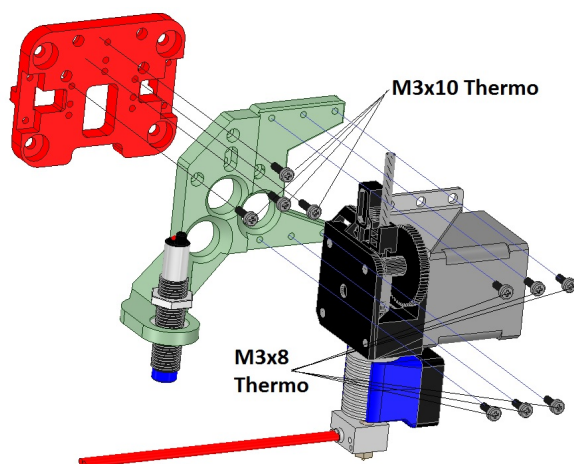
How to assemble Titan extruder

The official documentation is provided here

https://wiki.e3d-online.com/wiki/Titan_Assembly

Compact Mode

The plastic support is available [for free download on Thingiverse](#)

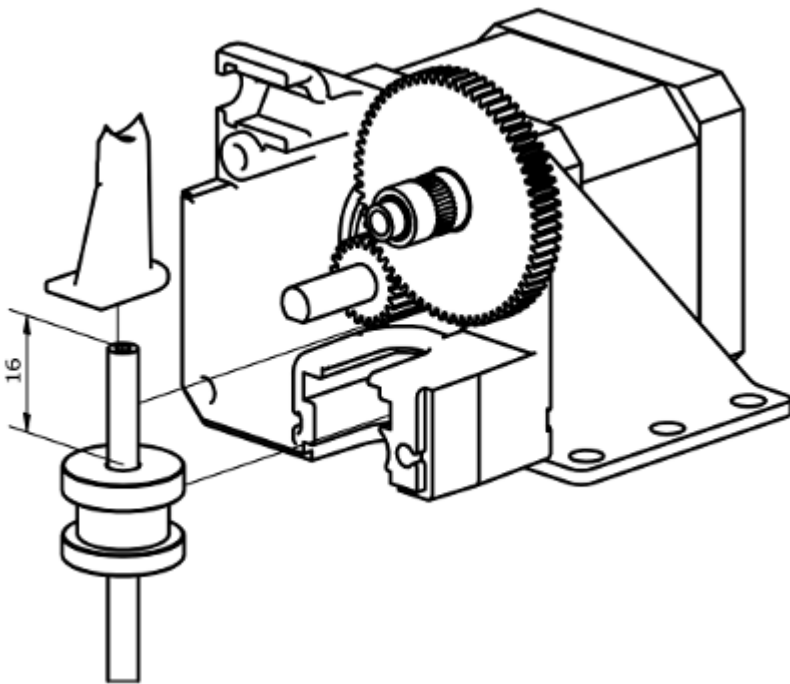


You will need:

- 4 Screws M3x10 thermo
- 6 Screws M3x8 thermo

Compatibility mode

Important Notes



- Before anything else, make sure that the « small » cylinder is installed inside the extruder with the small plastic connector facing down.
- Also make sure that you are using the proper plastic part located above the cylinder. It must fit your filament diameter. There is a marking under the plastic part giving you the filament diameter.
- If using 1.75mm filament, make sure you have the PTFE Tube installed up to the end of the hotend. The part of **the tube that goes out of the hotend must also go into the plastic part installed above the cylinder.**

The plastic support is available [for free download on Thingiverse](#)

You will need:

- 2 Screws M3x10mm Thermo
- 3 Screws M3x35mm
- 1 Screws M3x20mm

M3X10
Thermo

